

ROJO FLOAT VALVE

PRODUCT INFO



20 L / MIN

Description

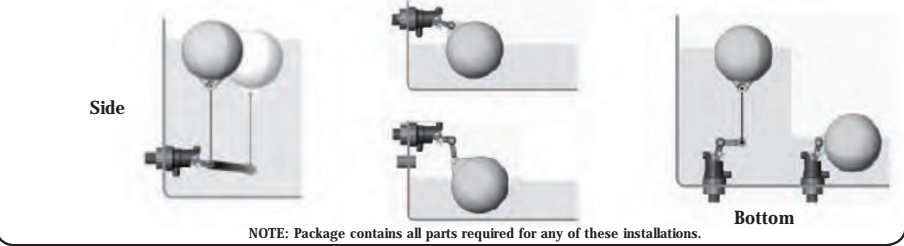
Rojo Float Valves are float operated valves for automatic filling of water storage vessels. The Rojo can be mounted above or below water level. It is a simple mechanically operated valve. The Rojo is a good choice where its **low flow** is sufficient and its compact non corrosive construction is beneficial.

Applications

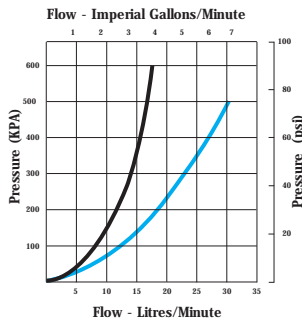
Maintaining water levels in:

- Animal drinking troughs
- Water storage tanks
- Water Cisterns
- Process applications

Mounting Positions



Flow Graph



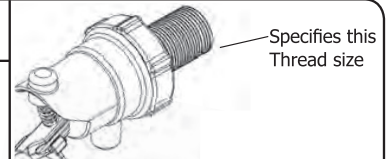
Key
 ■ Standard
 ■ Low Pressure

Features

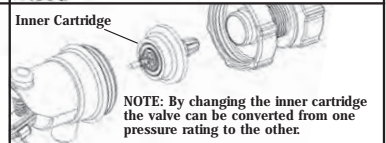
- Side, Bottom, Top Mounting
- Valve body screws apart by hand for easy servicing
- Flow stops when unscrewed for servicing
- Supplied with backnut and seal washer
- Built in check valve
- Fully adjustable float angle
- Pressure range 0-10 Bar (0-150 PSI)
- Low pressure model also available 0-5 Bar(0-75 psi) gives 60% more flow
- Non corrosive material construction
- Has switch to lock valve in off position

Options

Inlet sizes: 15mm 1/2" bsp/npt
 20mm 3/4" bsp/npt



Pressure Rating:
STD 0 Bar(0 PSI) - 10 Bar (150 PSI)
HF 0 Bar(0 PSI) - 5 Bar (75 PSI)



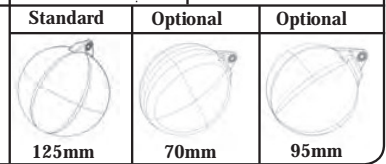
Extension Arms:
 75mm Extension Arm supplied STD

Available Extension Arm Lengths:
 25mm 50mm 75mm 100mm



Floats: 125mm wide floats supplied standard.
 Note: Suitable for any mounting position

70mm and 95mm floats optional
 Note: Suitable for top entry only.



ROJO FLOAT VALVE SPECIFICATION

PRODUCT	CODE	INLET SIZE	CODE	OPTIONS	CODE
Rojo Float valve	RJV	1/2" bsp/npt 3/4" bsp/npt	15 20	Low pressure	HF
				25mm Extn Arm	A25
				50mm Extn Arm	A50
				75mm Extn Arm	A75
				100mm Extn Arm	A100
				70mm wide Float	F70
95mm wide Float	F95				

(e.g) A Rojo Float Valve with: 3/4" bsp inlet, 100mm Extn Arm, 95mm Float has the following spec number: **RJV 20 A100 F95** NOTE: If no options are specified the standard ones will be supplied

Note: Product may differ slightly from these specs due to ongoing product development.

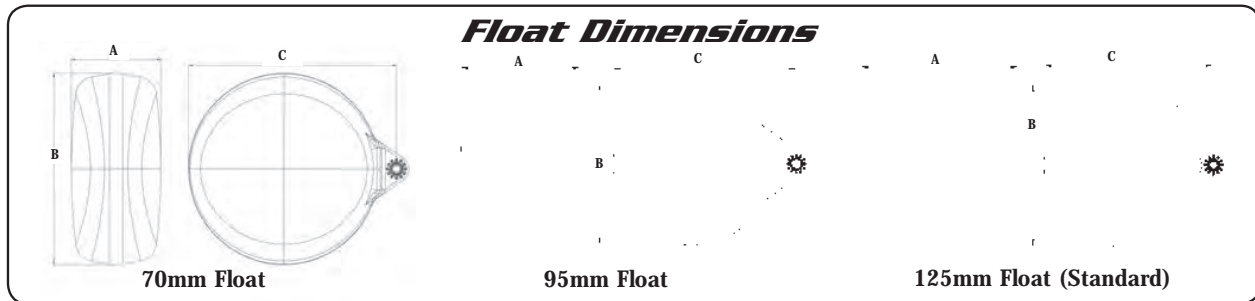
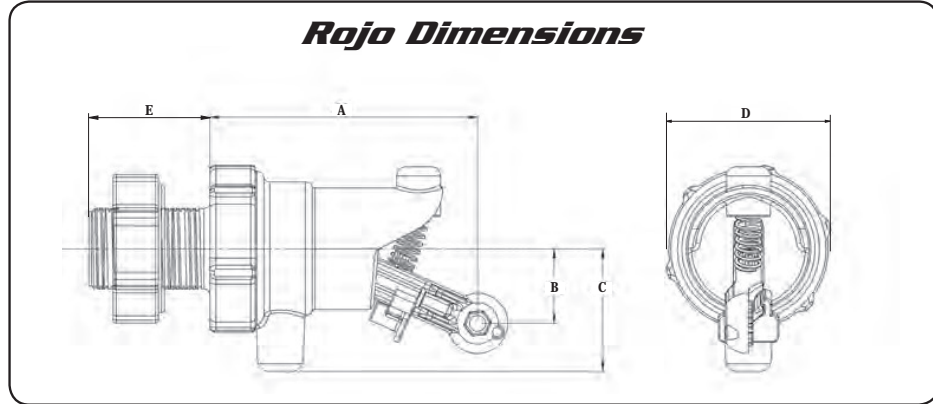
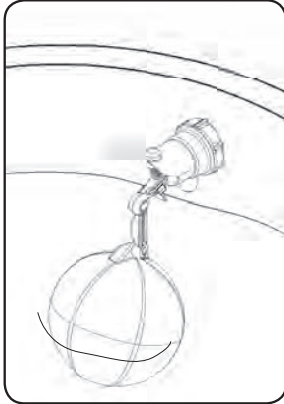
ROJO FLOAT VALVE

DIMENSIONS & MATERIALS



FLOAT VALVE

20 L / MIN



Note: 70mm & 95mm floats are suitable for top entry only.

Rojo Dimensions								
			mm			inches		
A			88			3 1/2		
B			25			1		
C			40			1 9/16		
D			56			2 1/4		
E			38			1 1/2		
Float Dimensions								
70mm Float			95mm Float			125mm Float		
	mm	inches		mm	inches		mm	inches
A	70	2 3/4	A	95	3 3/4	A	126	4 15/16
B	149	5 7/8	B	130	5 1/8	B	130	5 1/8
C	162.5	6 13/32	C	145	5 3/4	C	136	5 3/8

Materials	
Valve Body Tail & Nut	ABS
Arm Extension Arms Internal Black Mouldings	Glass Filled Nylon
Yellow Valve Parts Filter	Acetal
Float	HDPE
Seal Washer	LDPE
Springs Bolts Nuts	304 Stainless Steel
O' Rings	Nitrile
High Flow Seal	Urethane
Float Cord	Polyester

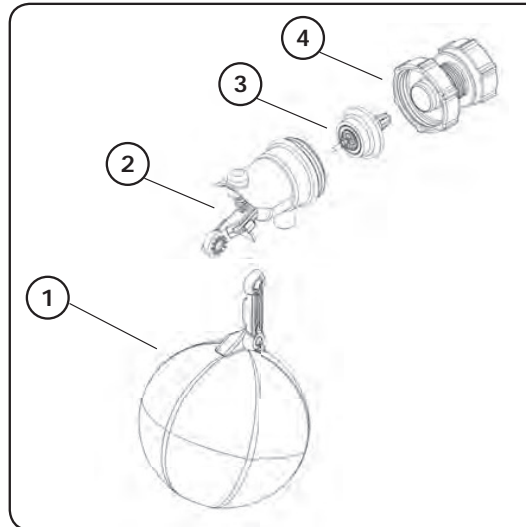
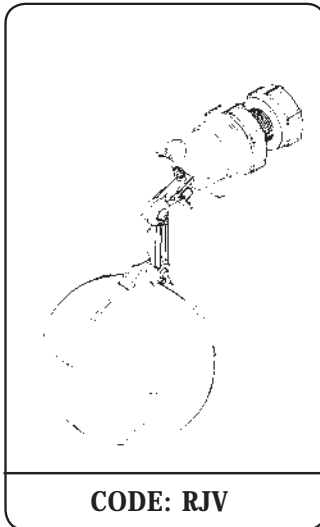
Maximum Temperature of Operation 45°C, 115°F

ROJO FLOAT VALVE

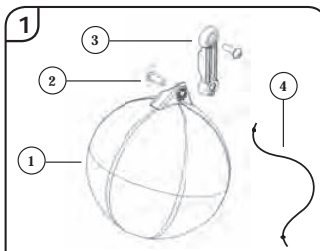
PARTS IDENTIFICATION SHEET



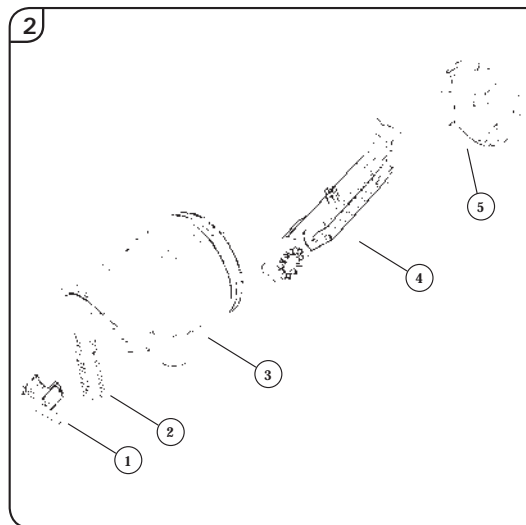
20 L / MIN



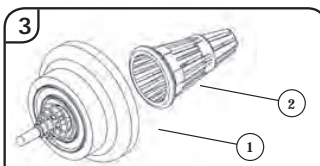
CODE	DESCRIPTION
1	Float & Connection
2	RJP2 Body Assembly
3	RJP3A Inner Cartridge Assembly
	RJP3B Inner Cartridge Assembly High Flow (L/P)
4	RJP415 15mm (1/2") Tail Assembly
	RJP420 20mm (3/4") Tail Assembly
	RJP420E 20mm (3/4") Ezi Start Tail Assembly



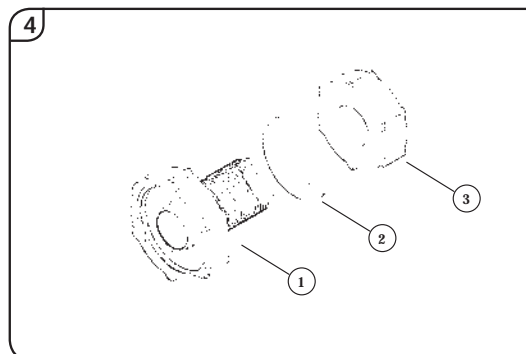
CODE	DESCRIPTION
1	RJP1010 70mm Float
	RJP1011 95mm Float
	RJP1012 125mm Float
2	RJP1020A Arm Bolt Slot
	RJP1020B Arm Bolt Phillips
3	RJP1030 Extension Arm 25mm
	RJP1031 Extension Arm 50mm
	RJP1032 Extension Arm 75mm
	RJP1033 Extension Arm 100mm
4	RJP1040 Float Cord



CODE	DESCRIPTION
1	RJP2010 Lock-Off Switch
2	RJP2020 Arm Spring
3	RJP2030 Body
4	RJP2040 Arm Assembly
5	RJP2050 Retainer



CODE	DESCRIPTION
1	RJP3010 Inner Cartridge Std
	RJP3011 Inner Cartridge High Flow (LP)
2	RJP3020 Filter



CODE	DESCRIPTION
1	RJP4010 15mm (1/2") Tail
	RJP4011 20mm (3/4") Tail
	RJP4012 20mm (3/4") Tail Ezi Start
2	RJP4020 15mm Seal Washer
	RJP4021 20mm Seal Washer
	RJP4030 15mm (1/2") Backing Nut
3	RJP4131 20mm (3/4") Backing Nut